

604.3 Clearance.

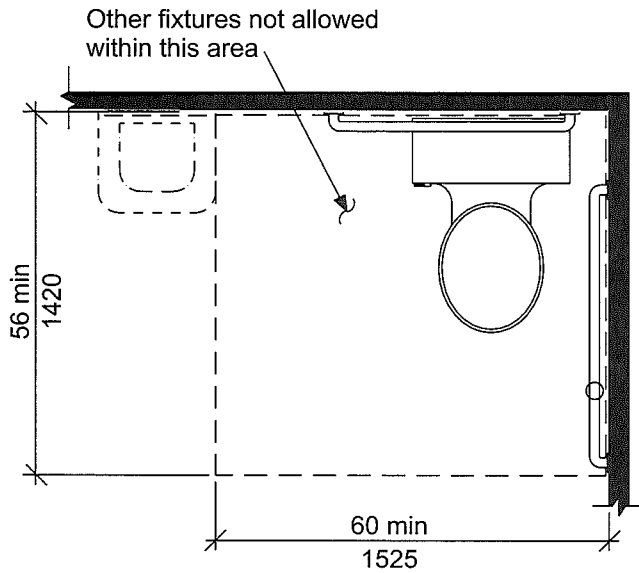


FIG. 604.3
SIZE OF CLEARANCE FOR WATER CLOSET

604.3.1 Clearance width. Clearance around a water closet shall be 60 inches (1525 mm) minimum in width, measured perpendicular from the sidewall.

604.3.2 Clearance Depth. Clearance around the water closet shall be 56 inches (1420 mm) minimum in depth, measured perpendicular from the rear wall.

604.3.3 Clearance Overlap. The required clearance around the water closet shall be permitted to overlap the water closet, associated grab bars, paper dispensers, sanitary napkin receptacles, coat hooks, shelves, accessible routes, clear floor space at other fixtures and the turning space. No other fixtures or obstructions shall be within the required water closet clearance.

604.4 Height. The height of water closet seats shall be 17 inches (430 mm) minimum and 19 inches (485 mm) maximum above the floor, measured to the top of the seat. Seats shall not be sprung to return to a lifted position.

EXCEPTION: A water closet in a toilet room for a single occupant, accessed only through a private office and not for common use or public use, shall not be required to comply with Section 604.4.

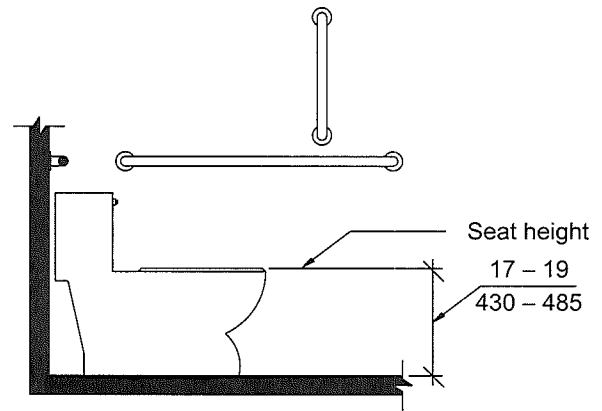
604.5 Grab Bars. Grab bars for water closets shall comply with Section 609 and shall be provided in accordance with Sections 604.5.1 and 604.5.2. Grab bars shall be provided on the rear wall and on the side wall closest to the water closet.

EXCEPTIONS:

1. Grab bars are not required to be installed in a toilet room for a single occupant, accessed only through a private office and not for common use or public use, provided reinforcement

has been installed in walls and located so as to permit the installation of grab bars complying with Section 604.5.

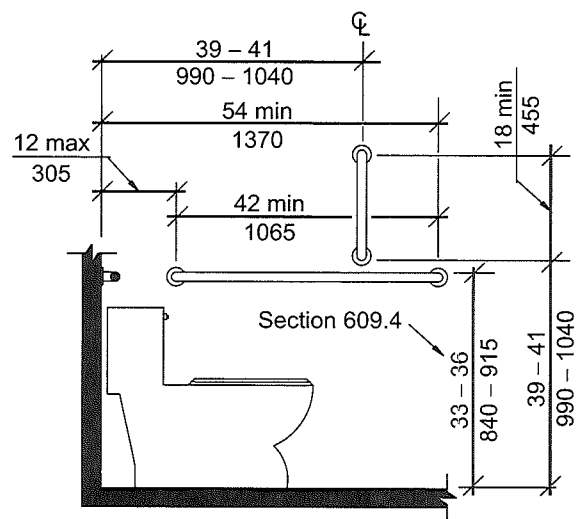
2. In detention or correction facilities, grab bars are not required to be installed in housing or holding cells or rooms that are specially designed without protrusions for purposes of suicide prevention.



Note: For children's dimensions see Fig. 604.11.4

FIG. 604.4
WATER CLOSET SEAT HEIGHT

604.5.1 Fixed Side Wall Grab Bars. Fixed side-wall grab bars shall be 42 inches (1065 mm) minimum in length, located 12 inches (305 mm) maximum from the rear wall and extending 54 inches (1370 mm) minimum from the rear wall. In addition, a vertical grab bar 18 inches (455 mm) minimum in length shall be mounted with the bottom of the bar located 39 inches (990 mm) minimum and 41 inches (1040 mm) maximum from the rear wall.



Note: For children's dimensions see Fig. 609.4.2

FIG. 604.5.1
SIDE WALL GRAB BAR FOR WATER CLOSET

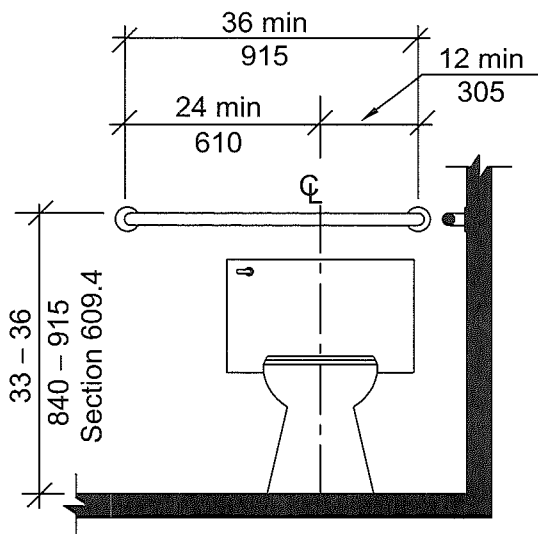
maximum above the floor, and with the center line of the bar located 39 inches (990 mm) minimum and 41 inches (1040 mm) maximum from the rear wall.

EXCEPTION: The vertical grab bar at water closets primarily for children's use shall comply with Section 609.4.2.

604.5.2 Rear Wall Grab Bars. The rear wall grab bar shall be 36 inches (915 mm) minimum in length, and extend from the centerline of the water closet 12 inches (305 mm) minimum on the side closest to the wall, and 24 inches (610 mm) minimum on the transfer side.

EXCEPTIONS:

1. The rear grab bar shall be permitted to be 24 inches (610 mm) minimum in length, centered on the water closet, where wall space does not permit a grab bar 36 inches (915 mm) minimum in length due to the location of a recessed fixture adjacent to the water closet.
2. Where an administrative authority requires flush controls for flush valves to be located in a position that conflicts with the location of the rear grab bar, that grab bar shall be permitted to be split or shifted to the open side of the toilet area.



Note: For children's dimensions see Fig. 609.4.2

FIG. 604.5.2
REAR WALL GRAB BAR FOR WATER CLOSET

604.6 Flush Controls. Flush controls shall be hand operated or automatic. Hand operated flush controls shall comply with Section 309. Flush controls shall be located on the open side of the water closet.

EXCEPTION: In ambulatory accessible compartments complying with Section 604.10, flush controls shall be permitted to be located on either side of the water closet.

604.7 Dispensers. Toilet paper dispensers shall comply with Section 309.4. Where the dispenser is located above the grab bar, the outlet of the dispenser shall be located within an area 24 inches (610 mm) minimum and 36 inches (915 mm) maximum from the rear wall. Where the dispenser is located below the grab bar, the outlet of the dispenser shall be located within an area 24 inches (610 mm) minimum and 42 inches (1065 mm) maximum from the rear wall. The outlet of the dispenser shall be located 18 inches (455 mm) minimum and 48 inches (1220 mm) maximum above the floor. Dispensers shall comply with Section 609.3. Dispensers shall not be of a type that control delivery, or do not allow continuous paper flow.

604.8 Coat Hooks and Shelves. Coat hooks provided within toilet compartments shall be 48 inches (1220 mm) maximum above the floor. Shelves shall be 40 inches (1015 mm) minimum and 48 inches (1220 mm) maximum above the floor.

604.9 Wheelchair Accessible Compartments.

604.9.1 General. Wheelchair accessible compartments shall comply with Section 604.9.

604.9.2 Size. Toilet compartments shall comply with Section 604.9.2.1 or 604.9.2.2 as applicable.

604.9.2.1 Minimum area. The minimum area of a wheelchair accessible compartment shall be 60 inches (1525 mm) minimum in width measured perpendicular to the side wall, and 56 inches (1420 mm) minimum in depth for wall hung water closets, and 59 inches (1500 mm) minimum in depth for floor mounted water closets measured perpendicular to the rear wall.

604.9.2.2 Compartment for children's use. The minimum area of a wheelchair accessible compartment primarily for children's use shall be 60 inches (1525 mm) minimum in width measured perpendicular to the side wall, and 59 inches (1500 mm) minimum in depth for wall hung and floor mounted water closets measured perpendicular to the rear wall.

604.9.3 Doors. Toilet compartment doors, including door hardware, shall comply with Section 404, except if the approach is to the latch side of the compartment door clearance between the door side of the stall and any obstruction shall be 42 inches (1065 mm) minimum. The door shall be self-closing. A door pull complying with Section 404.2.6 shall be placed on both sides of the door near the latch. Toilet compartment doors shall not swing into the required minimum area of the compartment.

604.9.3.1 Door Opening Location. The farthest edge of toilet compartment door opening shall be located in the front wall or partition or in the side wall or partition as required by Table 604.9.3.1.

604.9.4 Approach. Wheelchair accessible compartments shall be arranged for left-hand or right-hand approach to the water closet.